



❖ Features

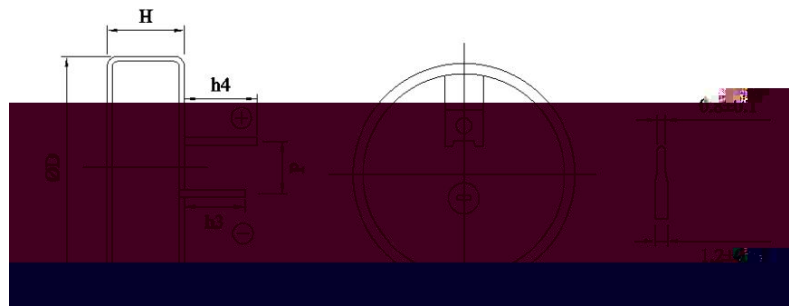
❖ Application

❖ General Characteristics



Items	Criteria
	0.92
	0.015

❖ Product Dimensions



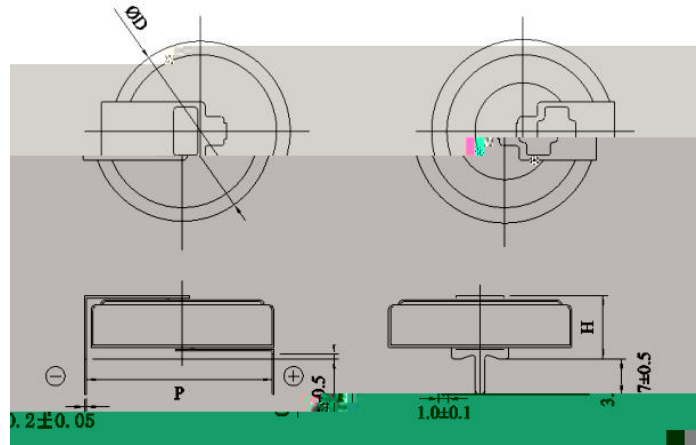
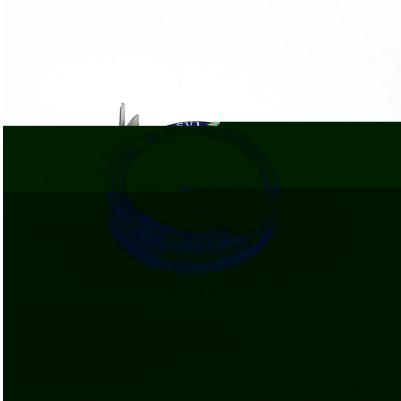
Terminal: C

Size:

Items	Criteria	Items	Criteria

Packing:

Part Number	Quantity (pcs)		Dimension (LxWxH) mm		Total weight



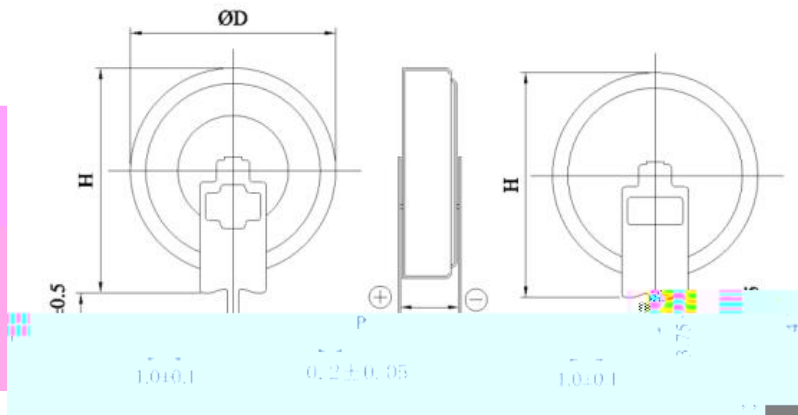
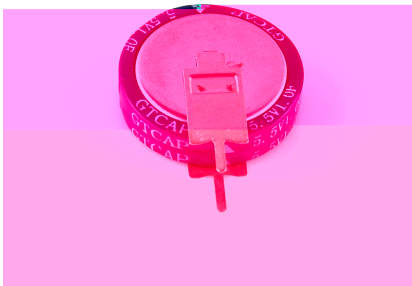
**Terminal: H**

Size:

Items	Criteria	Items	Criteria

Packing:

Part Number	Quantity (pcs)		Dimension (LxWxH) mm		Total weight



**Terminal: V**

Size:

Items	Criteria	Items	Criteria

Packing:

Part Number	Quantity (pcs)		Dimension (LxWxH) mm		Total weight

