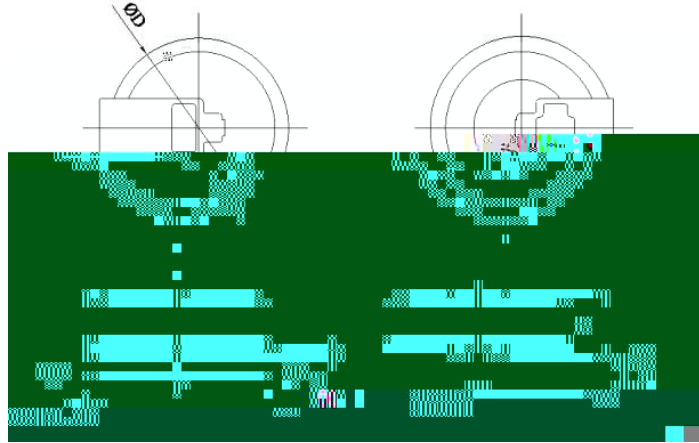
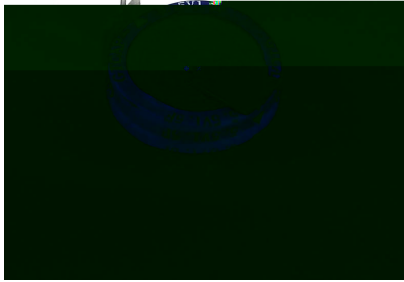




C

E

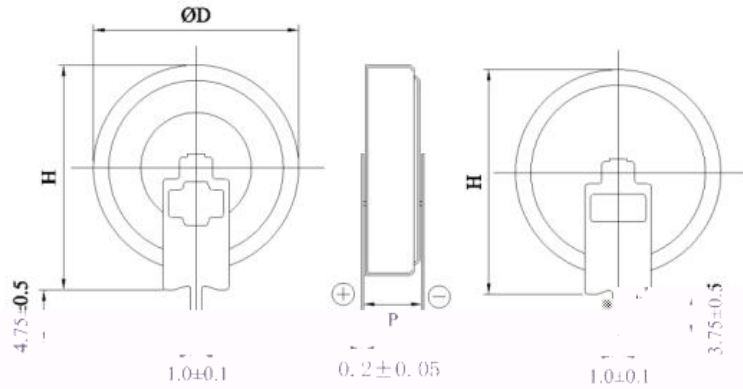
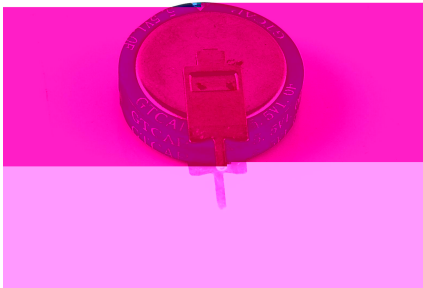
G E-5 5-105 C/H/



: H

I	C	I	C

N	()		D	(L H)	



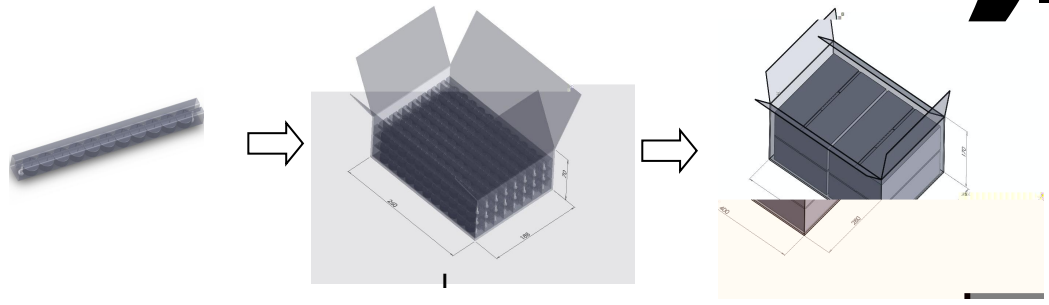
I	C	I	C

N	()		D	(L H)	



G E- 5-105 C/H/

E



❖ H

G E-5 5-105 C/H/ 1000

❖ H

G

1

2 A

G

D

()

C